

Media Adapter Guide kit for 2" Printers

Part Number: 105829-001

Availability:

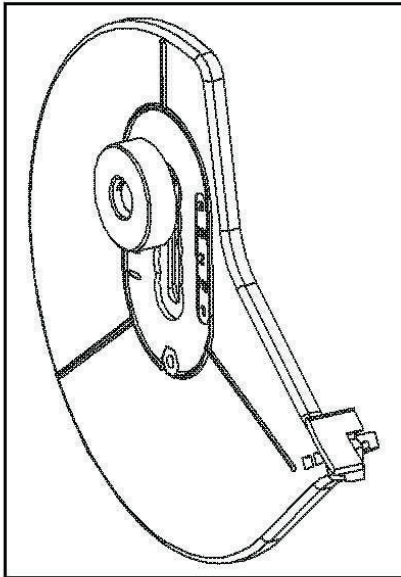
Available in all regions.

In North America this product is available only through PartnersFirst[®] Healthcare Resellers.

The Media Adapter Guide kit for 2" desktop printers optimizes narrow media printing, specifically wristbands. The guides hold the media and prevent telescoping, while guiding the media through the front of the printer. The bezel includes a brush to reduce static on synthetic media.

Features/Specs:

- Kit includes: media adapter guides (set), anti-static bezel
- Printers Supported: Direct Thermal Only - LP 2824, LP 2824-Z
- **Printers NOT SUPPORTED:** Thermal Transfer (TLP) printers
- Minimum media width: 0.585" (15mm)
- Maximum media width: 1.44" (37mm)
- Adjustable for core diameters: 1.0 – 3.0" (25.1 – 76.2mm)



Media Adapter Guide